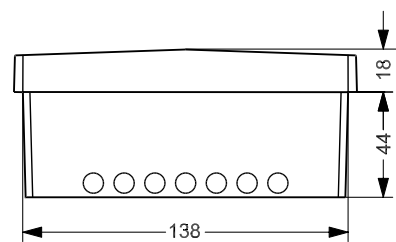
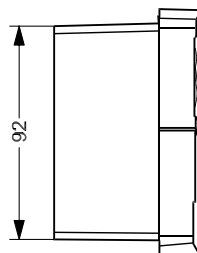
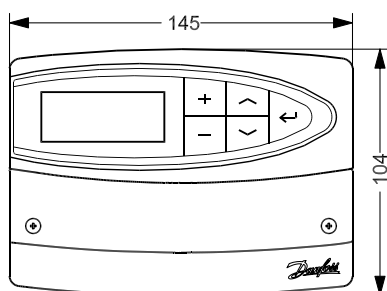
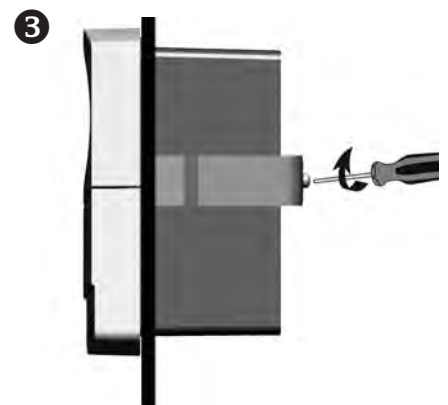
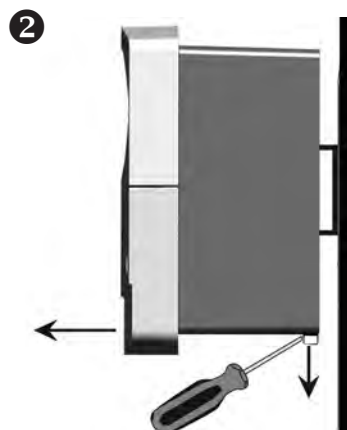
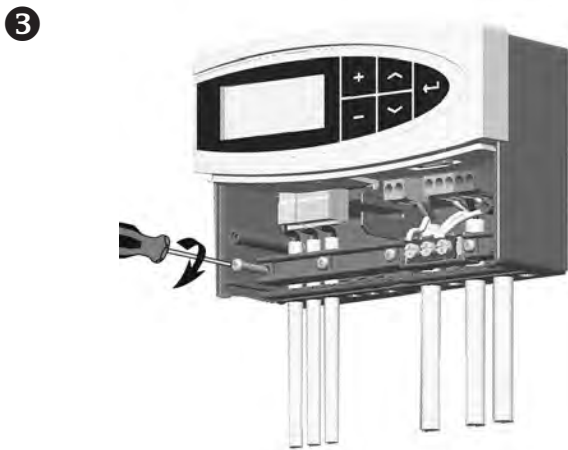
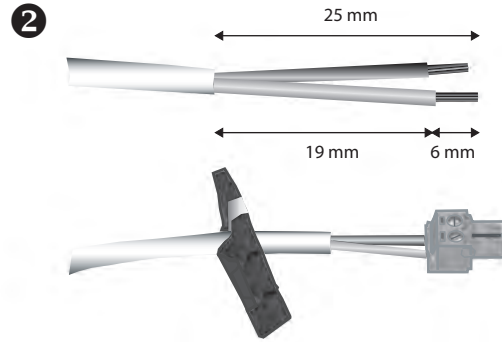
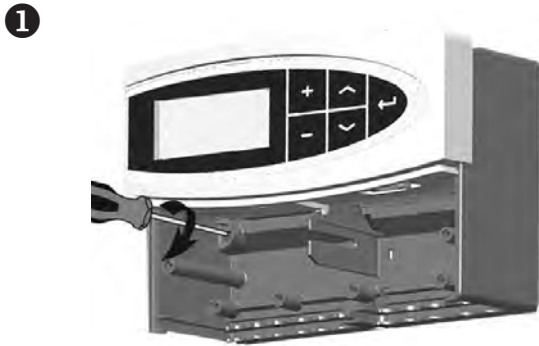


Installation Guide

ECL Comfort 110

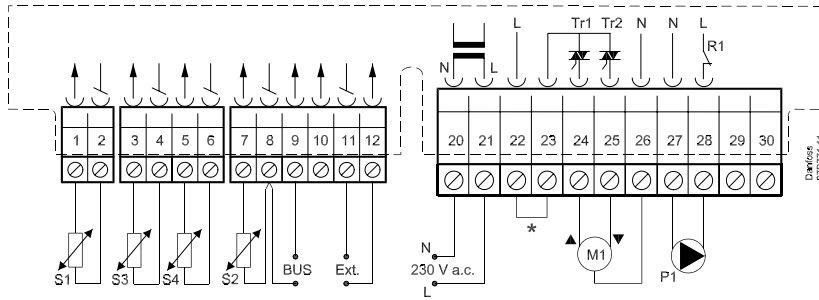


Danfoss
87B769.10

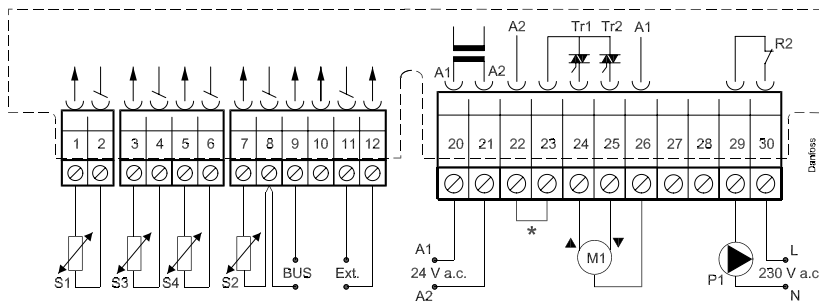


Installation Guide, ECL Comfort 110

230 V a.c.



24 V a.c.



Danfoss A/S
DK6830 Nordbo, Denmark
CVR no.: 20165715
Telephone: +45 7488 2222
Fax: +45 7489 0068

EU-DECLARATION OF CONFORMITY
Danfoss A/S
Danfoss Commercial Controls

declares under our sole responsibility that the

Product(s) Electronic Controllers

Type(s)
ECL Comfort 110, 230Vac
ECL Comfort 110, 24Vac

Accessories for use with the controller
ECA 110 ECA 61

Covered by this declaration is in conformity with the following directive(s), standard(s) or other normative document(s), provided that the product is used in accordance with our instructions.

Low Voltage Directive 2014/35/EU
EN 60730-1:2011

Electromagnetic compatibility (EMC) Directive 2014/30/EU
EN 61000-6-1:2007
EN 61000-6-3:2007 + A1:2011

Date 2016.05.18	Drawn by Signature: <i>[Signature]</i> Name Bjarne Straede Title Portfolio Manager	Date 2016.05.18	Approved by Signature: <i>[Signature]</i> Name Aleksander Zakamlik Title Senior Vice President
--------------------	---------------------------------------------------------------------------------------------------	--------------------	---------------------------------------------------------------------------------------------------------------

Danfoss only vouches for the correctness of the English version of this declaration. In the event of the declaration being translated into any other language, the translator concerned shall be liable for the correctness of the translation.

ID No. VUKTL502 Revision No. 1 Page 1 of 1

? ECL Comfort 110: www.heating.danfoss.com

